

## **MK ITEM / INTERCHANGE NEWS**

Date : FEBRUARY 7, 2019  
No. 19 - 02

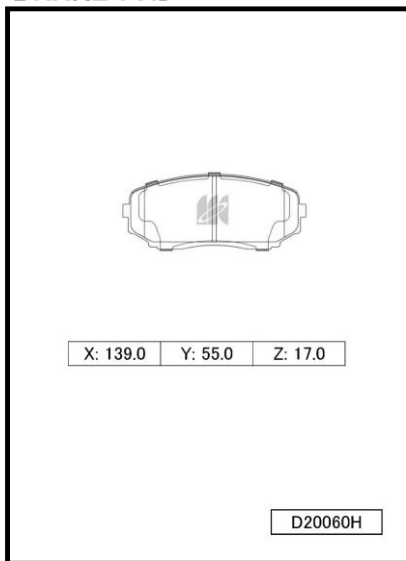
### **FEBRUARY New Item Information**

#### **BRAKE PAD**

MK No.	Application	Releasing Month (accepting order)	Quotation Month
D20060H Made in Indonesia FMSI No.D1258	FORD EDGE 2.0L,3.5L,3.7L (USA/EUR/CHN) 2007-2014	FEB. 2019	FEB. 2019
	LINCOLN MKX 2.0L,3.5L,3.7L (USA/EUR) 2007-2015		

### **FEBRUARY New Item Drawing Information**

#### **BRAKE PAD**



- TO BE CONTINUED TO NEXT PAGE -

**"Valuable information"  
Interchange information (Existing MK item)**

MK No.	Application	Year
K11224	HYUNDAI ELANTRA (1600cc) <EUR>	2015.10-
K11224	HYUNDAI ELANTRA (1600cc,2000cc) <GEN,ME>	2015.10-
K11224	HYUNDAI ELANTRA (1400cc,2000cc) ALABAMA PLANT <USA,CAN>	2015.12-
D11236MH	HYUNDAI H-1,GRAND STAREX (2400cc,2500cc) <ME,GEN>	2014.03-
D11266MH	HYUNDAI VERNA (1400cc,1600cc) INDIA PLANT (IND)	2011.03-2017.05
D11268MH	HYUNDAI I20,I20 ACTIVE (1200cc,1400cc) INDIA PLANT <GEN,IND,ME>	2014.07-
D11280MH	HYUNDAI STINGER (2000cc,2200cc,3300cc) <EUR>	2017.01-
D11352MH	HYUNDAI ELANTRA (1600cc,2000cc) <USA>	2017.04-
D11352MH	HYUNDAI I30 (1400cc,1600cc,2000cc) <KOR,AUS>	2017.03-
D11352MH	KIA SOUL EV (MOTOR) <KOR,GEN>	2014.04-
D11373MH	KIA SOUL EV (MOTOR) <KOR,GEN>	2014.04-
D11376MH	HYUNDAI I20 ACTIVE (1000cc,1200cc,1400cc) INDIA PLANT <IND>	2014.07-
D20007H	FORD FOCUS (1800cc,2000cc) <CHN>	2005-
D5056MH	ACURA TSX (2400cc) <USA>	2004-2008
D5066MH	HONDA ACCORD 4DOOR <MAR>	2016
D5066MH	HONDA ACCORD HYBRID <THA,AUS,IDN>	2016
D5174M	HONDA CIVIC HYBRID <NZL>	2012
D5214M	HONDA ACCORD (1500cc) <USA>	2018
D5214M	HONDA HR-V <IDN,IND,MAR,NZL,PAK>	2014-2016
K11224	HYUNDAI GRAND i10 (1200cc) <EUR>	2014.02-
K11224	HYUNDAI GRAND I10 (1000cc,1200cc) <IND,GEN,ME>	2013.08-