



MK ITEM / INTERCHANGE NEWS

Date : August 8, 2019
No. 19 - 08

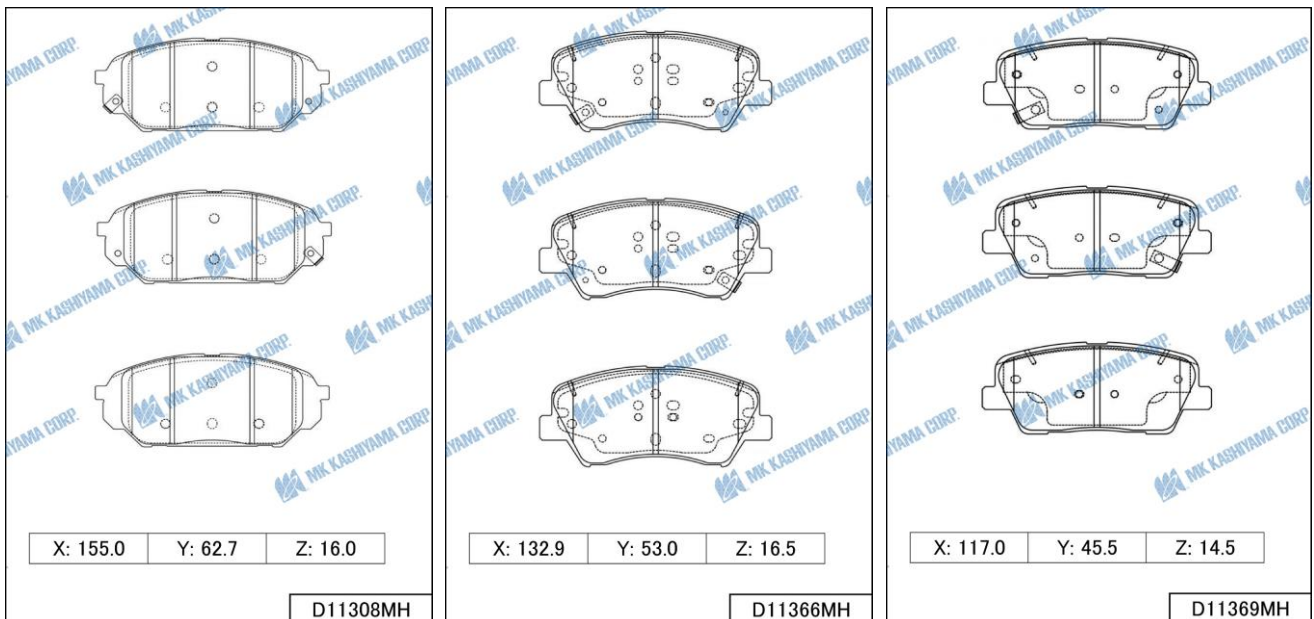
August New Item Information

BRAKE PAD

MK No.	Position	Application	Quotation Month
D11308MH Made in Indonesia FMSI NO. D1301	Front	HYUNDAI IX55 3000cc.3800cc 08.09-13.04 <EUR.GEN> HYUNDAI VERACRUZ 3800cc 06.09-13.04 <USA.CAN.KOR.ME.GEN>	August. 2019
D11366MH Made in Indonesia FMSI NO. D1815	Front	HYUNDAI CRETA,CANTUS INDIA PLANT 1600cc 16.04- <EUR.IND.GEN.ME> HYUNDAI SANTA FE GEORGIA PLANT 2000cc 15.11- <EUR.USA.CAN> HYUNDAI CARENS 1600cc.1700cc.2000cc 16.08- <EUR> KIA RIO 1000cc.1200cc.1400cc 16.10- <EUR> KIA SORENTO GEORGIA PLANT 2000cc 14.11- <EUR.USA.CAN> KIA STONIC 1000cc~1600cc 16.10- <EUR>	August. 2019
D11369MH Made in Indonesia FMSI NO. D1816 FMSI NO. D1916	Rear	HYUNDAI GRAND SANTA FE 2200cc~3300cc 16.01- <EUR.GEN> HYUNDAI SANTA FE 2000cc~2400cc 15.05- <UER.USA.CAN.GEN> KIA MOHAVE 3000cc 16.01- <EUR.ME.GEN> KIA SORENTO GEORGIA PLANT 2000cc 14.11- <EUR.USA.CAN> KIA STINGER 2000cc~3300cc 17.01- <EUR.USA.GEN.ME>	August. 2019
D11406MH Made in Indonesia	Front	KIA MORNING, PICANTO 1000cc.1200cc 16.12- <EUR.GEN.ME.AUS>	August. 2019
D11424MH Made in Indonesia FMSI NO. D1912	Front	HYUNDAI ELANTRA 1600cc.2000cc 15.10- <EUR.RUS.USA.CAN.GEN.ME> HYUNDAI IONIQ HYBRID,ELECTRIC 1600cc 16.06- <EUR.USA.CAN.GEN.ME> HYUNDAI AVANTE 1600cc.2000cc 15.08- <KOR> KIA NIRO HYBRID 1600cc 16.04- <EUR.USA.CAN.GEN> KIA NEW SPORTAGE 16.08- <GEN>	August. 2019

August New Item Drawing Information

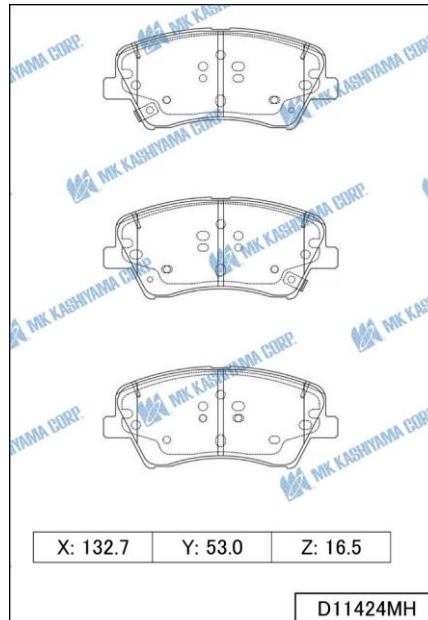
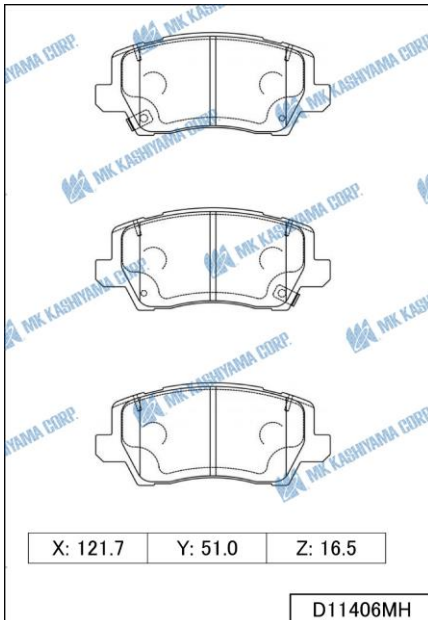
BRAKE PAD



MK ITEM / INTERCHANGE NEWS

Date : August 8, 2019
No. 19 - 08

August New Item Drawing Information BRAKE PAD



"Valuable information" **Interchange information (Existing MK item)**

MK No.	Position	Application	Year
D2349	Rear	TOYOTA RAV4 AXAA52,AXAH54 (2500cc) <USA,CAN>	2018.12-
D11346H	Rear	VW JETTA 5C <USA>	2015-
D11346H	Rear	VW JETTA HYBRID (1400cc Turbo) <USA>	2015-2016
D11346H	Rear	VW GOLF ALLTRACK (1800cc Turbo) <USA>	2018-
D11355MH	Rear	HYUNDAI TUCSON (1600cc,1700cc,2000cc) <EUR>	2018.02-